

feltkütür

**Build your own specifications with
the helper guide**

Acoustical tiles POSÉ

Acoustic wall covering

Panel texture: felted polyester

Composition: 100% polyester fibers, acrylic resin and acrylic adhesive

Total thickness of the composite: 6.4mm (¼") 12.7 mm (½")

Dimension : 48''x48''

Colors available: grey Fermont, grey Westmont, grey Saint-Sébastien, tan Woburn, tan Percé, black Dunham, blue Saint-Georges, green Sainte-Marie, Rougemont.

Noise Reduction Coefficient (NRC): 0.40

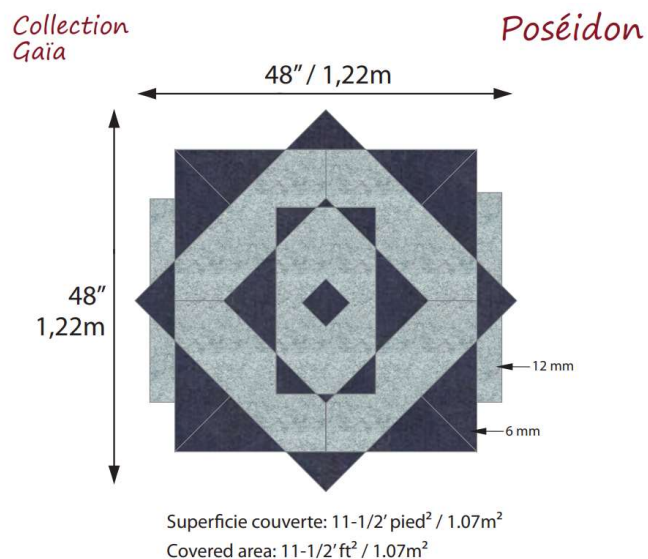
Adhesion test ASTM D3330: Average of N/10mm at 75% RH on day 5 is 2.6 and Average of N/10mm at 45% RH on day 5 is 3.0.

Fire resistance ASTM E-84: FSI Class A and SDI Class A (felt only)*

Fire resistance CAN/ULC-S102: FSR 20 and SDC 420 (felt only)*

Recycled content: Recycled content: Up to 50% recycled polyester (post-consumer and/or post-industrial)

Installation: The wall must be cleaned before applying the wall covering panel. Use a laser to make sure the installation is even.



Product reference: Gaïa collection model Poséidon

**ASTM-E84 and CAN/ULC-S102 tests were conducted on Düotex 6.4mm. The composite of 12.7mm is formed by two Düotex 6.4mm panels. Please refer to specific test results before use. The user is responsible for ensuring product suitability for their intended use and compliance with local regulations.*