

feltkütür

**Build your own specifications with
the helper guide**

Acoustical Screen

Acoustic screen system

Panel texture: felted polyester

Composition: 100% polyester fibers and acrylic resin

Total thickness of the composite: 18 mm ($\frac{3}{4}$ "

Dimension : 60"x28"x24"

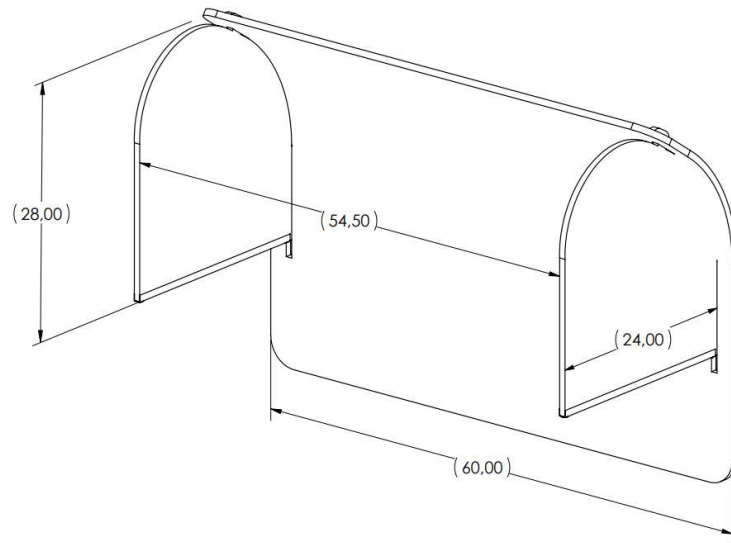
Colors available: grey Fermont, grey Westmont, grey Saint-Sébastien, tan Woburn, tan Percé, black Dunham, blue Saint-Georges, green Sainte-Marie, Rougemont.

Noise Reduction Coefficient (NRC): 1.12

Fire resistance ASTM E-84: FSI Class A and SDI Class A*

Fire resistance CAN/ULC-S102: FSR 20 and SDC 420*

Recycled content: Recycled content: Up to 50% recycled polyester (post-consumer and/or post-industrial)



Product reference: Hëlm

*ASTM-E84 and CAN/ULC-S102 tests were conducted on Düotex 6.4mm. The composite of 12.7mm is formed by two Düotex 6.4mm panels. Please refer to specific test results before use. The user is responsible for ensuring product suitability for their intended use and compliance with local regulations.