



architectür Collection

Acoustic. Excellence. Prestige.

feltkütür
BY/PAR ALKEGEN

Tekboard *Quadra*

Acoustic Ceiling Solution



Tekboard *Quadra* enhances acoustic performance while making a strong design statement.

This high-performance suspended panel reduces reverberation and delivers optimal sound comfort, seamlessly integrating into contemporary spaces. A refined acoustic solution designed for demanding environments.



Explore product details



Tekboard *Beam* Acoustic Ceiling Solution



Tekboard *Beam* transcends conventional acoustics, transforming sound control into an architectural statement. Gracefully suspended from the ceiling, it defines and structures the space while subtly taming reverberation and enhancing auditory comfort.

Its refined design and minimalist lines transform every ceiling into a true design feature — ideal for offices, public spaces, and reception areas where calm and elegance are essential.



Explore product
details



Tekboard *Studio*

Acoustic Panels
for Ceiling
and Wall
Applications



The Tekboard *Studio*
combines high-level
acoustic performance with
sophisticated design.

Engineered to control echo and enhance sound clarity, it transforms ceilings into both functional and visually striking surfaces. Elegant and contemporary, it delivers refined acoustic comfort to demanding creative and professional environments.



Explore product
details



Quietcurve

Acoustical Baffle System



The *Quietcurve* embodies the fusion of sculptural design and acoustic performance. Its curved silhouette, engineered to control sound with precision, creates a serene and harmonious atmosphere.



Explore product details

Elegant, fluid, and contemporary, it enhances any interior while optimizing acoustic comfort — the perfect solution for professional and creative spaces with refined aesthetics.



Constellation

Acoustical Baffle System



The *Constellation* collection by Feltküter is a range of suspended acoustic baffle systems that combine refined aesthetics with exceptional sound performance. Each model features a unique star-inspired design, creating open, elegant, and acoustically optimized environments.



Explore product details



Hëlm

Acoustical Screen

The *Hëlm* module is an exceptional acoustic screen designed to effectively reduce ambient noise and enhance intelligibility. It creates comfortable, focused zones while preserving the integrity of the design.



Its modular silhouette integrates seamlessly into any environment—offices, collaborative areas, or public spaces—while providing a strong visual identity.



Explore product details



Renaissance

Acoustical Hanging Screen



Designed for professional and collaborative environments, the *Renaissance* collection is a series of suspended acoustical screens. Each model draws inspiration from iconic historical and stylistic figures, offering distinctive forms that enhance acoustic comfort while visually enriching the space.

This collection of acoustical screens creates harmonious zones of comfort where sound and style complement one another.



Explore product details



Horizon

Wall-Mounted Acoustic Panel



The *Horizon* collection offers a variety of wall-mounted acoustic panel models designed to suit a wide range of commercial and institutional applications. Its precise design ensures uniformity, reliability, and ease of integration into even the most demanding projects.

Designed for professional, collaborative, and public environments, the Horizon collection creates balanced spaces where acoustic performance and design work in harmony.



Explore product details



Gaia and Harmonie

Wall Acoustic Tiles

Inspired by natural balance and simplicity of form, the *Gaia* and *Harmonie* collections offer solutions with a soft, timeless design. Created to foster calm and functional environments, it integrates seamlessly into open-plan spaces.



Multiple models available



Explore product details



Project *Customization*

Feltkütur solutions are designed to adapt and integrate seamlessly into your environment.



Explore our inspirations

Project *Customization*

Head Office of Alkegen - Dallas



Explore our
inspirations

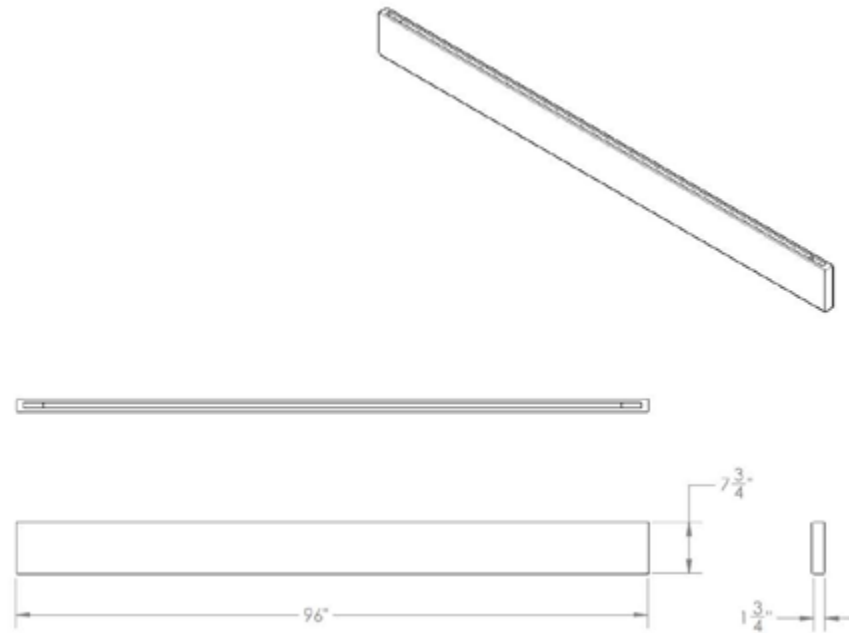
Technical Specifications

Tekboard *Beam*

Thickness: 1-3/4"

Length: 96"

Height: 7-3/4"

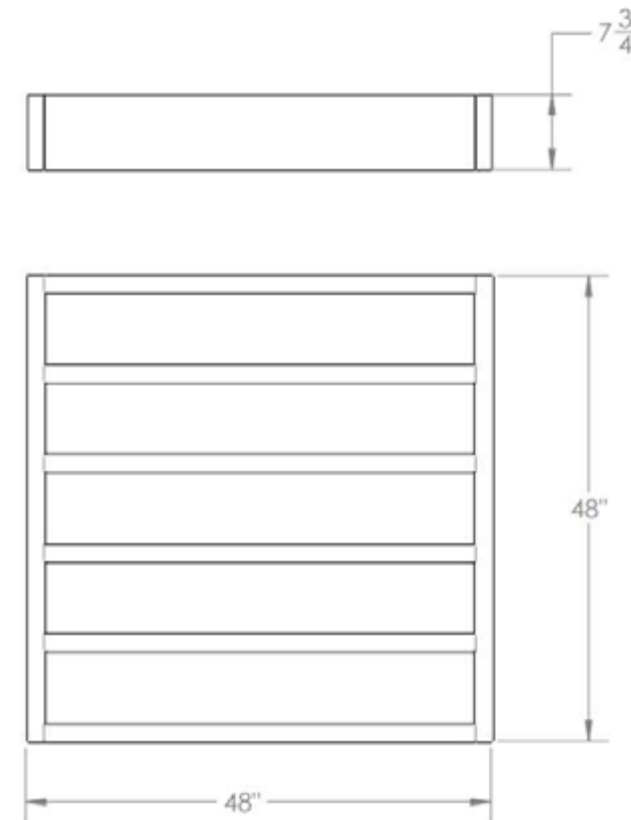


Tekboard *Quadra*

Thickness: 1-3/4"

Length: 48"x48"

Height: 7-3/4"



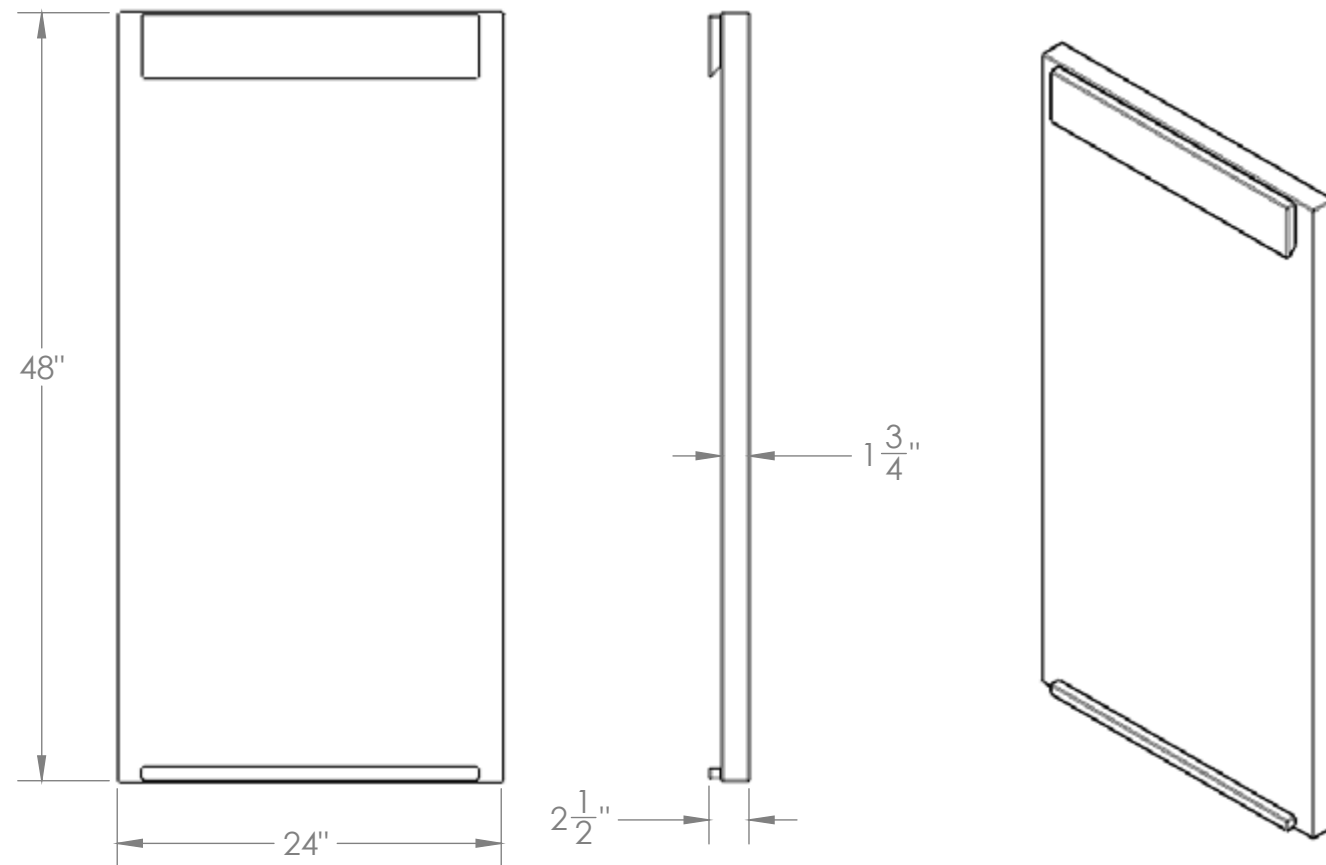
View the technical documentation

Tekboard Studio

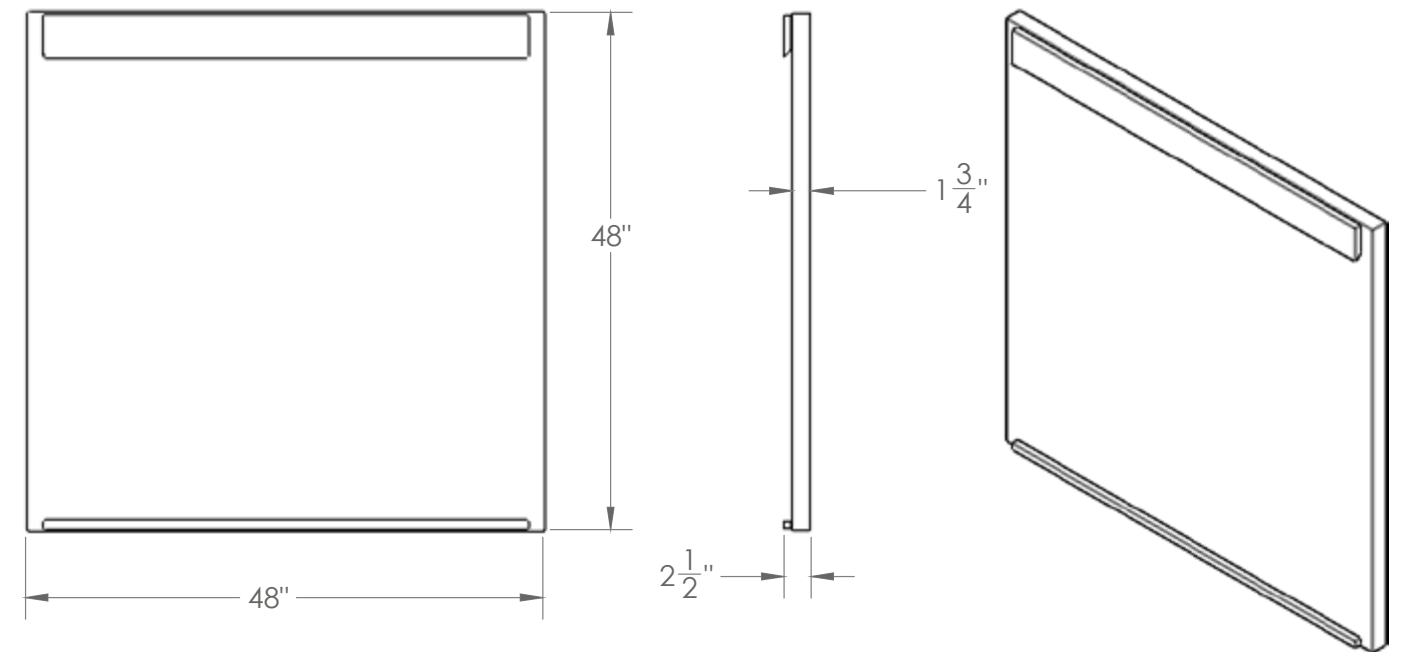
Thickness: 1-3/4"

Available dimensions:
24"x48", 48"x48", 36"x72"

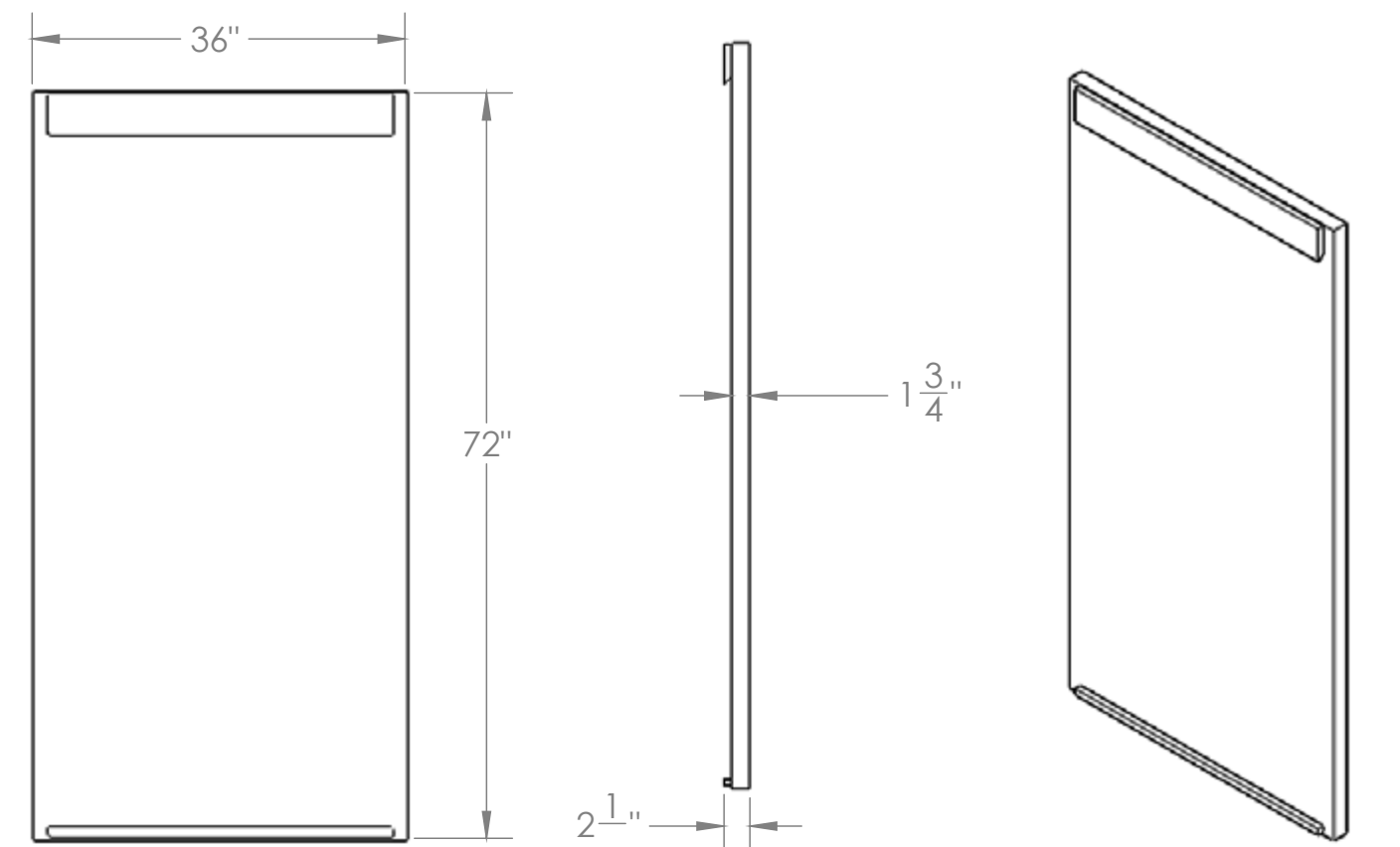
Tekboard Studio 24"x48"



Tekboard Studio 48"x48"



Tekboard Studio 36"x72"



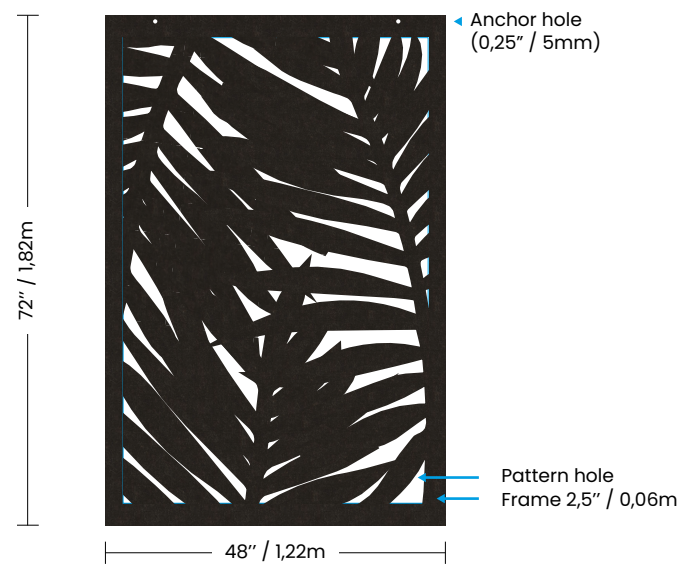
View the
technical
documentation

Renaissance

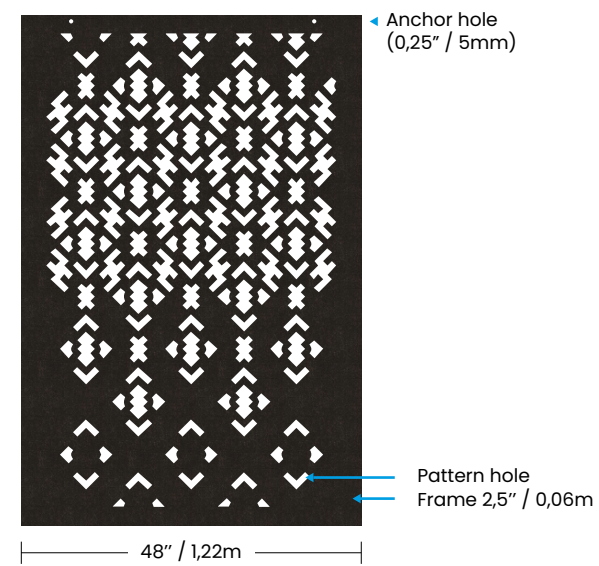
Thickness: 1/2"

Available dimension: 48"x72"

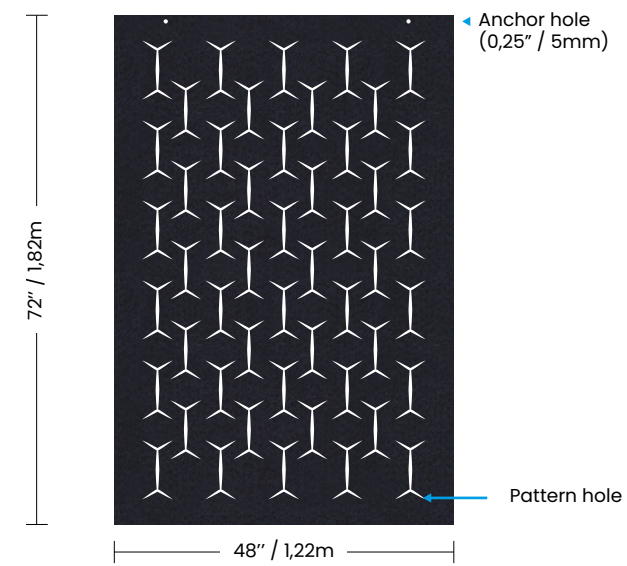
Filippo



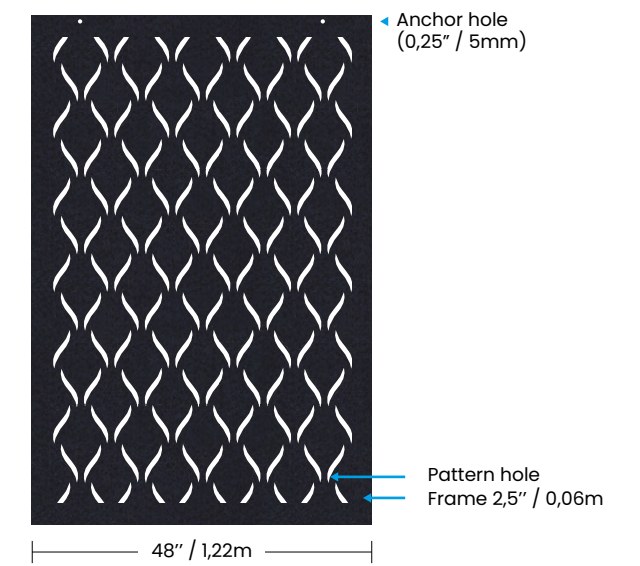
Giotto



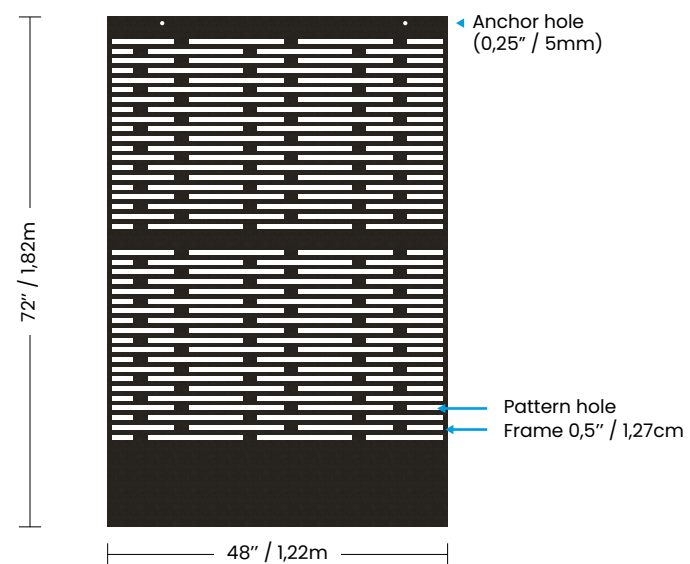
De Vinci



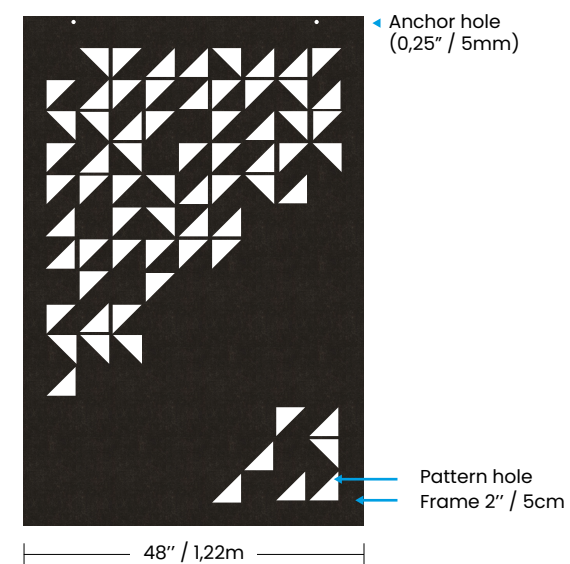
Mona



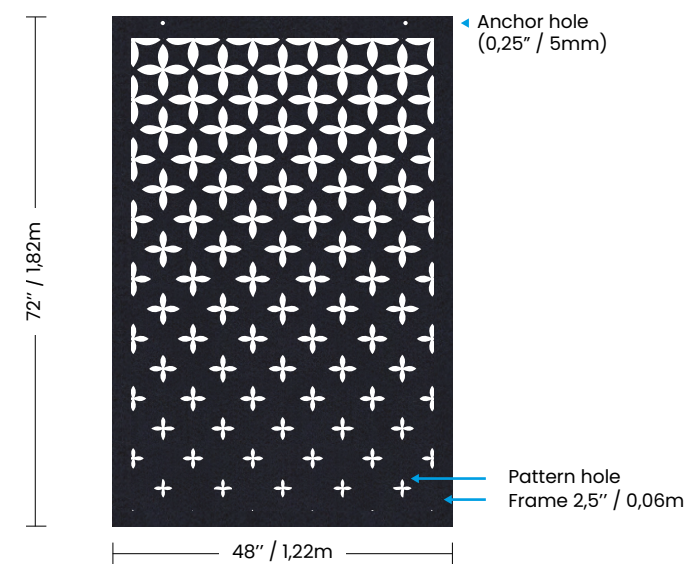
Vasari



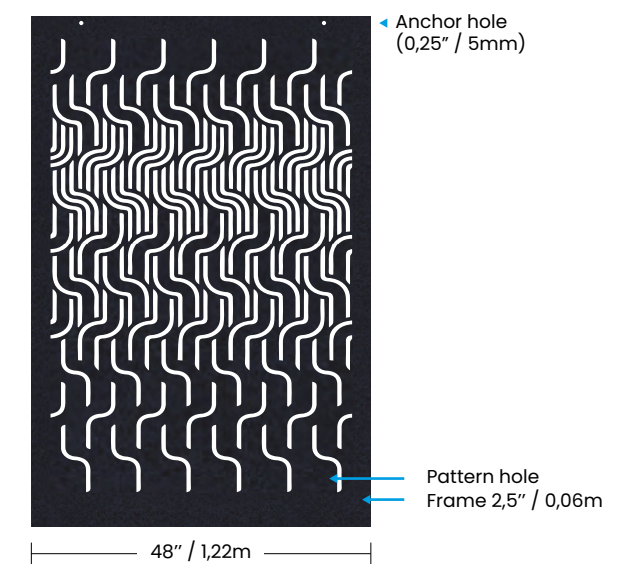
Cartier

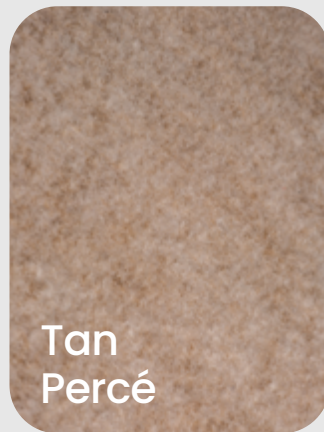
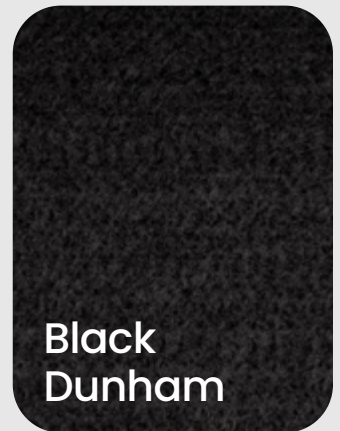
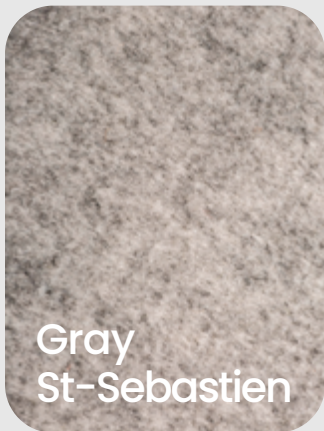
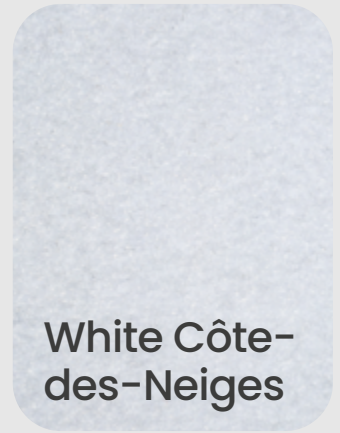
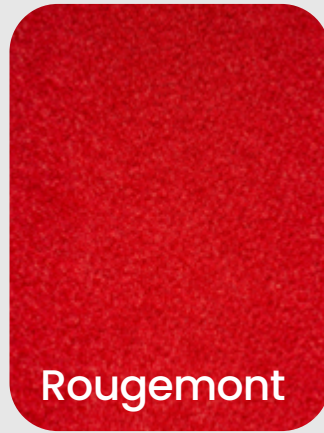
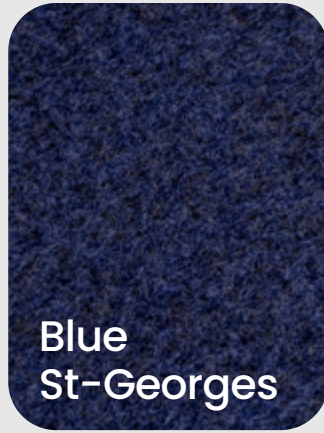


Galileo



Descartes





Follow us



www.feltkutor.com

info.feltkutor@alkegen.com



Explore our
inspirations

